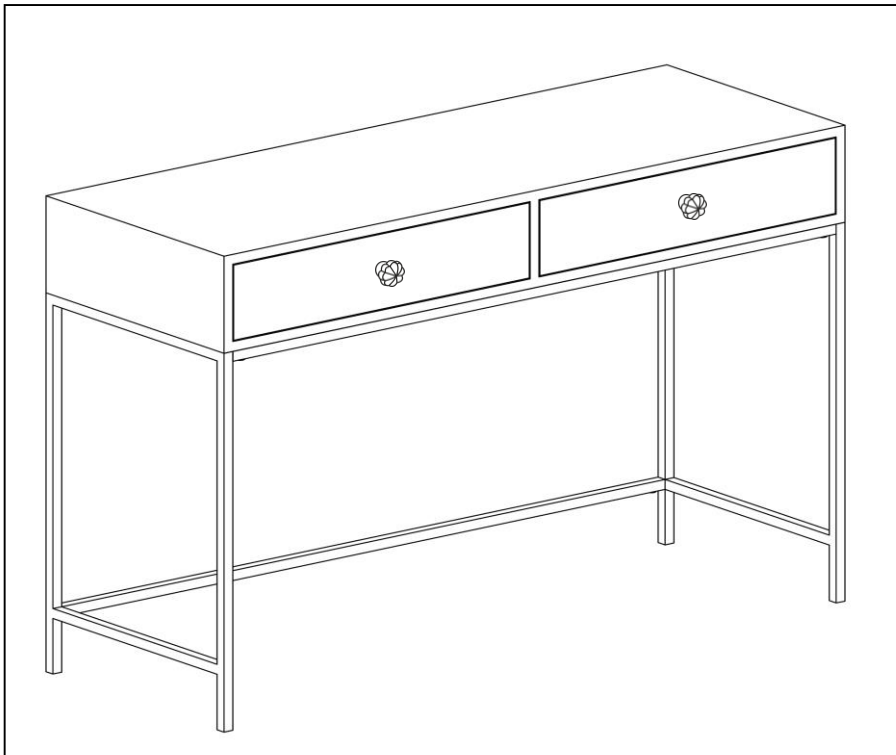


# WORLD MARKET®

## Assembly Instructions

SURAI CONSOLE RESIN GREY FLORA 2 DRAWER


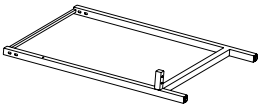
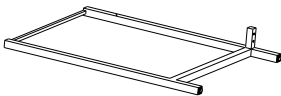

SKU - 607439




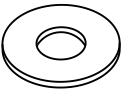
THANK YOU FOR YOUR PURCHASE. IF YOU HAVE ANY QUESTIONS  
PERTAINING TO THE ASSEMBLY OF THIS FURNITURE PIECE, PLEASE CONTACT  
THE NEAREST WORLD MARKET STORE.  
IF YOU ARE NOT NEAR A STORE, PLEASE CALL OUR CUSTOMER SERVICE CALL  
CENTER TOLL FREE AT 877- 967-5362 FOR ASSISTANCE.

NOT FOR COMMERCIAL USE


## Component List

LABEL		DESCRIPTION	QTY.
A		Top	1
B-1		Right Leg	1
B-2		Left Leg	1
C		Stretcher	1

## Hardware List

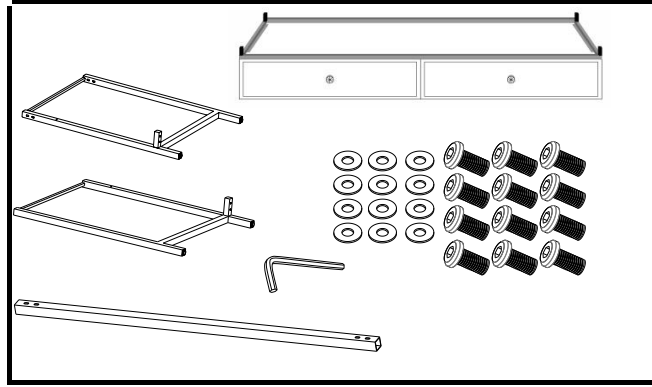
LABEL		DESCRIPTION	QTY.
H-1		Allen Bolts (M6 x 16mm)	12
H-2		Flat Washer (6.5 mm x 16 mm)	12

## Tool List

LABEL		DESCRIPTION	QTY.
T-1		Allen Key 4 mm	1

# Assembly Preparation

## Before Beginning:



- Unpack all hardware bags and components to ensure you have all parts.



- Read instructions, cover to cover.



- Have 2 adults on hand for assembly.



- Do not assemble on flooring or carpet.



- Assemble on a clean non-marring surface (packing foam).



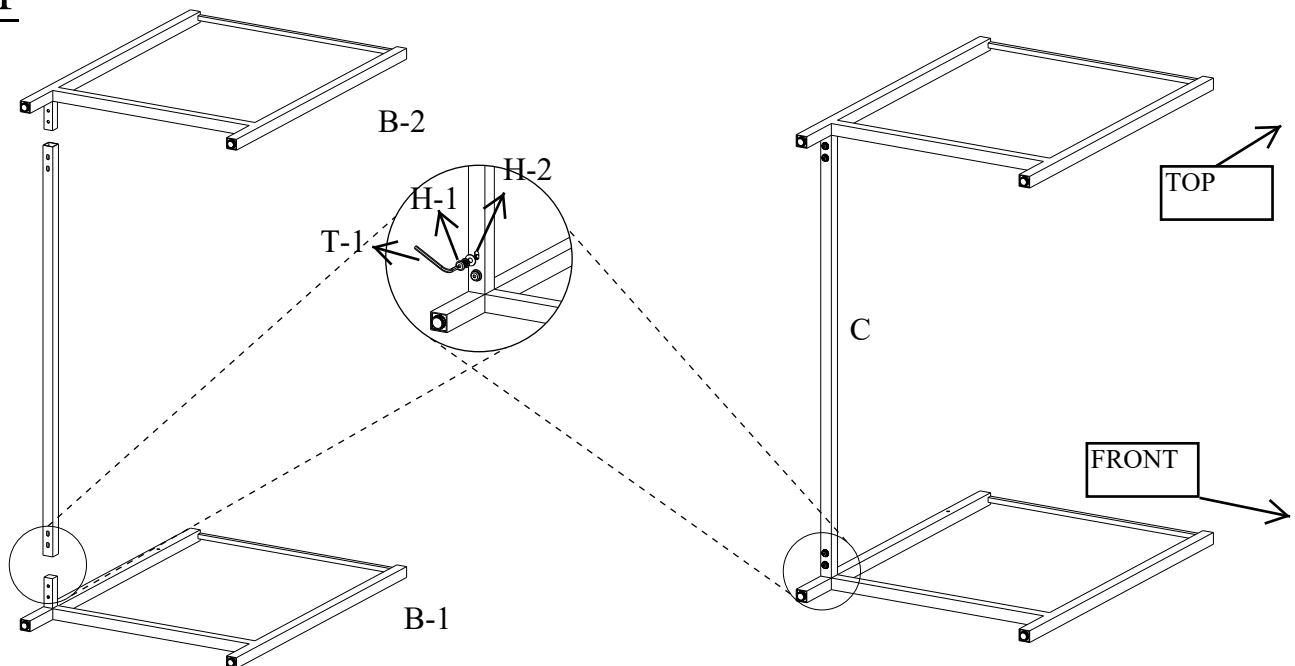
- Save all packaging until finished.



In case of missing parts, please contact your nearest World Market store or call our customer service call center at call 1-877-967-5362.

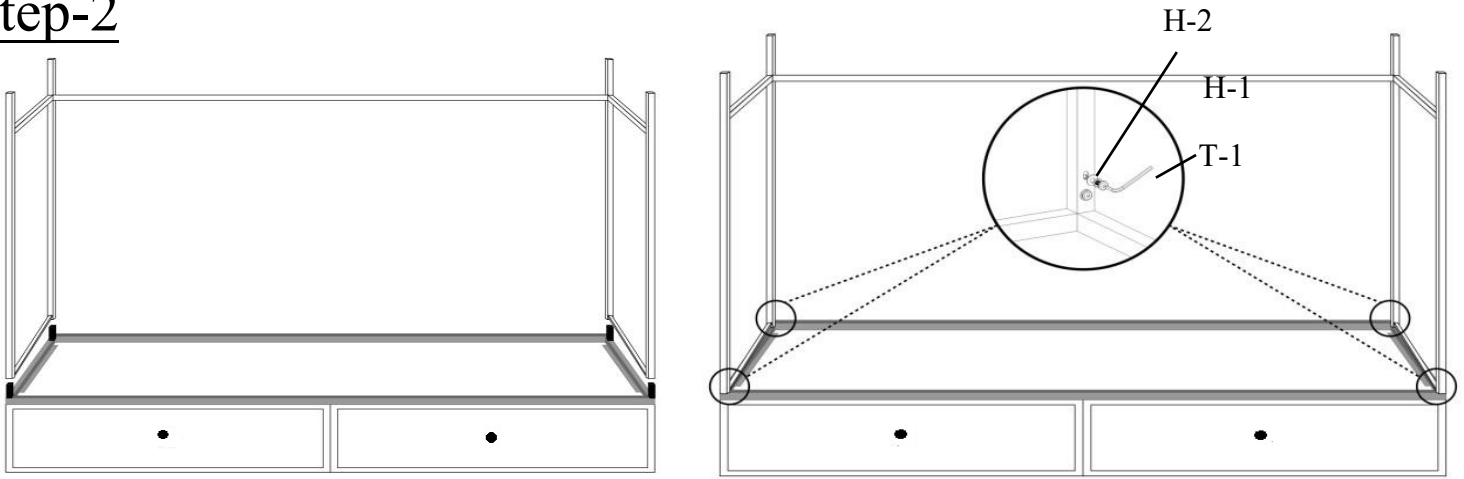
# Assembly Steps

## Step-1



Place the Right Frame (B-1) onto a padded, non-marring surface. Gently insert Stretcher (C) over the corresponding metal post on Right Frame (B-1) as shown, making sure the holes on Stretcher (C) align with the holes on the post. Secure Stretcher (C) using Allen Bolts (H-1) and Flat Washer (H-2). Engage the bolts by hand, but do not fully tighten them yet. Repeat the process above to assemble the Left Frame (B-2) to the other side of Stretcher (C).

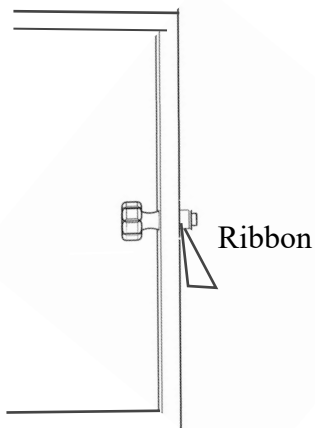
## Step-2



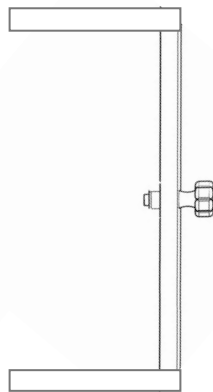
Place the Top (A) upside down on a padded non-marring surface with the help of two people. Place the assembled leg frame onto the underside of the Top (A) ensuring the holes on the Right and Left frame (B-1,B-2) align with the pre-drilled holes on the metal posts of Top (A). Engage the bolts by hand first, and then fully tighten all bolts from Steps 1-2 at this time using Allen Key (T-1).

## Step-3

**Pre-installed knob  
inside drawer**

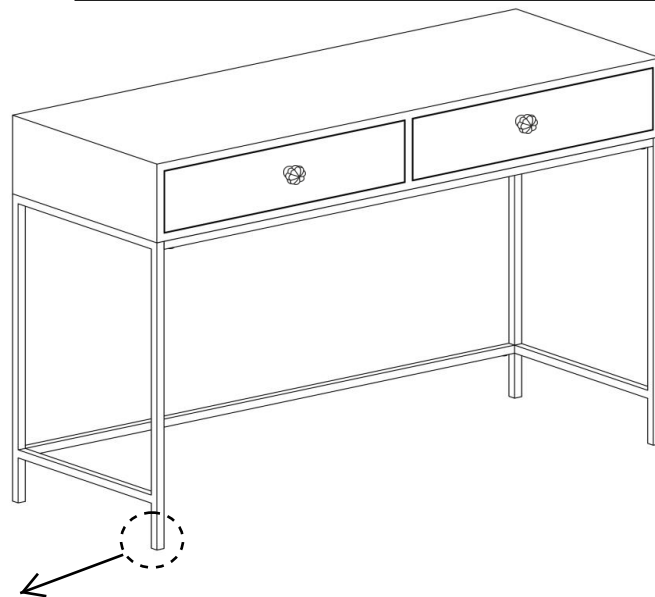


**Knob re-installed  
from outside**



### Knob Assembly

The Drawer Knobs come pre-assembled on the inside of the drawer assembly for protection during shipping. To install the knobs on the outside of the drawers, carefully pull on the ribbon to open the drawer. Remove the knob by unscrewing it from the cap nut from the front drawer face. It may be helpful to use an adjustable crescent wrench (not included) to hold the cap nut. Reinstall the drawer knob from the outside, using a crescent wrench to hold the cap nut in place while tightening the drawer knob thread until snug. Discard the ribbon used to open the drawer assembly.



NOTE: Levelers can be used for adjustment if needed.

Using a second person to assist you, carefully turn the console assembly into the upright position. Ensure the console legs sit evenly and all allen bolts from steps 1-2 have been fully tightened. Adjustable levelers on the bottom of each post can be used for additional leveling adjustments if needed. Assembly is now complete and the product is ready to use.

# Anti-Tip Measures

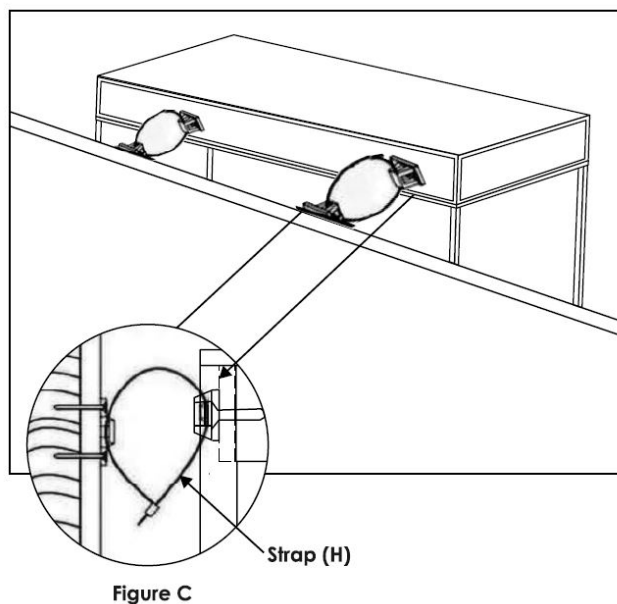
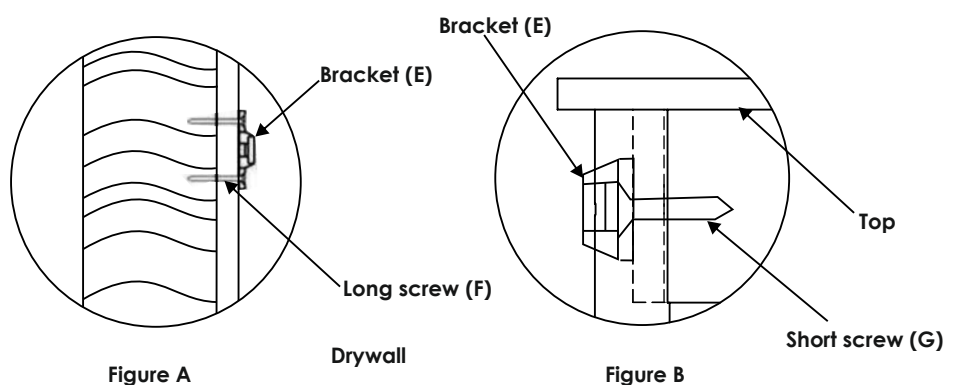
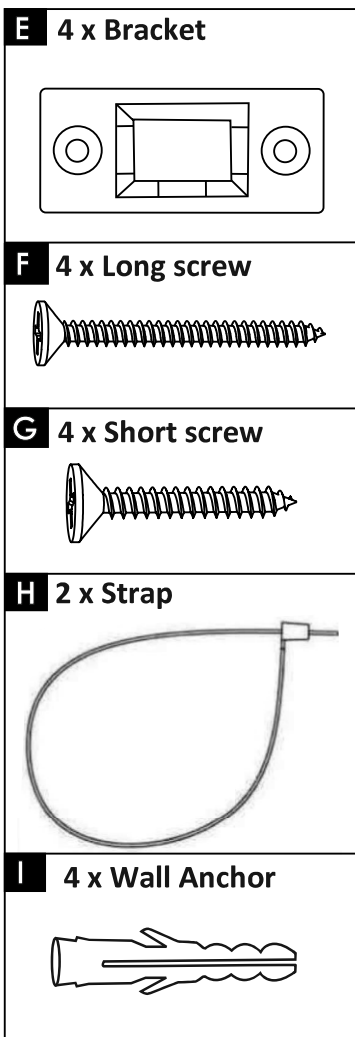
## Safety Strap Attachment

A. Mark the location of the hole on the wall using bracket (A) approx 1" below the top of furniture. Pre-drill the holes at marked location & insert wall anchors (E). Align bracket onto wall anchors & secure using long screws (B).



B. Move the furniture to its final position against the wall and mark the location of the wall bracket on the back of the furniture. The bracket that attaches to the furniture must go into the solid wood piece at the top, not into the thinner back panel. Move the furniture away from the wall and place a bracket (A) on the mark. Mark and drill holes for the screws using a 3/32" drill bit. Attach the bracket to the furniture using the short screws (C).



C. Move the furniture to its final position, and align the bracket on the furniture with the bracket on the wall. Thread the strap (D) through the bracket as shown, and tighten until snug. Do not overtighten.



Important: Check that the wall bracket is firmly screwed into the stud, the furniture bracket is firmly attached to the frame, and the strap is snug.







# Care & Maintenance



  • Do not put hot items directly on furniture surface.

  • Do not clean with harsh cleansers or polish.

  • Do not place in direct sunlight.



  • Do not place near heating or cooling vents.

  • Do not write on without a padded barrier to protect the surface.

  • Do not place outside. For indoor use only.

  • Not for commercial use. For residential use only.

---

  • Dust and pick-up spills using a clean, non-colored, lint-free cloth.

**Note** • Recommend using coasters to protect table top. Wipe spills immediately with a soft, dry cloth.